



Model

ESPE 1809 W2E

Output

Voltage	Current	Power
9V	2A	18W

CE

EMC	2014/30/EU
LVD	2014/35/EU EN 60950-1:2006+A11+A12+A2

M.T.B.F.

50.000 h Calculated Hours at 25°C

Output Characteristics:

Voltage	Min. Load	Rated. Load	peak Load	Output Power
9Vdc	0.00A	2A	2.3A (30sec)	18W

Combined Load/Line Regulation

Voltage	Min. Load	Rated. Load	Line Regulation	Load Regulation
9Vdc	0.00A	2A	+/- 3%	+/-8%

Ripple and Noise (Max.)

<150mV p-p

Efficiency:

Energy Star Compliance: Level VI 80,29%

Standby Power

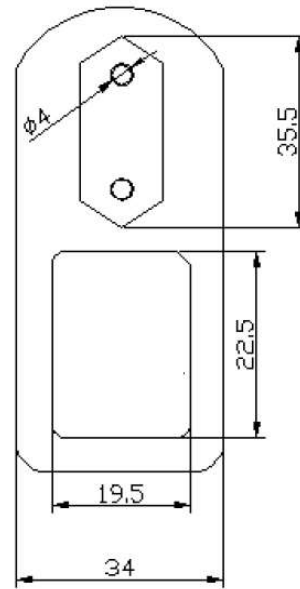
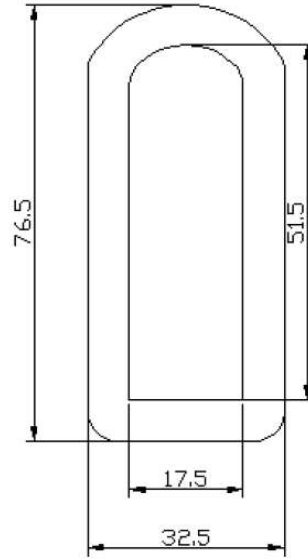
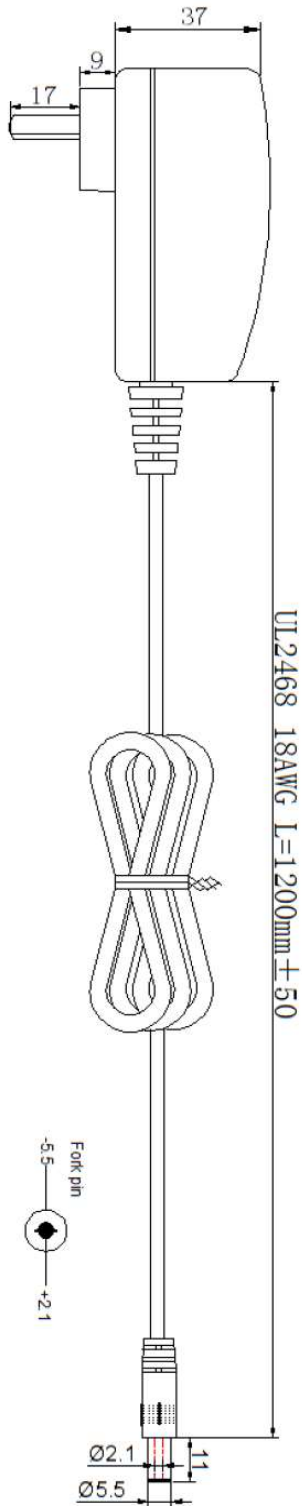
0.3W max

Protection Function

Short circuit protection / Over current protection / Over load protection

Input Characteristics:

Voltage	Faranquency	Current	Inrush Current	Ac Leakage Current
100-240 Vac	50/60Hz	0.5Amps	70 Amps Max.	0.25mA Max. At 264Vac



Model	Optional DC plug
ESPE 1809-W2E	2.1x5.5mm
ESPE 1809-W2E-0723	0.7x2.35mm
ESPE 1809-W2E-1130	1.1x3.0mm
ESPE 1809-W2E-1135	1.1x3.5mm
ESPE 1809-W2E-1335	1.3x3.5mm
ESPE 1809-W2E-1740	1.7x4.0mm
ESPE 1809-W2E-1755	1.7x5.5mm
ESPE 1809-W2E-2555	2.5x5.5mm
ESPE 1809-W2E-3055	3.0x5.5mm - center pin